

FINISH SCHEDULE

Table with columns: ROOM, NO., FLOOR, BASE, WALL, CEILING, TRIM, OTHER, FINISH, PRODUCT NO., FINISH, SIZE, NOTES. Includes independent living - 1st floor, dining room, hair care.

FINISH SCHEDULE NOTES

Table with columns: GENERAL, EQUIPMENT AND COMPONENTS, MILLWORK, FINISHES, ART, DRAPERY. Includes notes on contractor responsibilities, equipment installation, millwork requirements, finishes, and art.

FINISH LEGEND

Table with columns: ABBREV, ITEM, MANUFACTURER, PATTERN, COLOR, PRODUCT NUMBER, SIZE, REMARKS. Lists materials like FRP1, GR1, LVT1, P1, SS1, TR1, WC1.

FINISH LEGEND REMARKS KEY

Table with columns: Item number, Description, Remarks. Includes notes on vendor selection, painting methods, and material specifications.

VENDOR CONTACTS

Table with columns: VENDOR, CONTACT, EMAIL, PHONE NUMBER. Lists vendors like Cambria, Mannington, Merillat, Seabrook, Sherwin Williams, The Art Consultant, The Tile Bar, Wilsonart.

CABINETRY LEGEND

Table with columns: TAG, ITEM, MANUFACTURER, WOOD, DOOR STYLE, FINISH, PRODUCT NO., DIMENSIONS, HARDWARE, REMARKS. Lists MW1, MW2 cabinets.

CABINETRY LEGEND REMARKS KEY

Table with columns: GENERAL, HAIR CARE, DINING ROOM. Includes notes on cabinet construction, hair care unit installation, and dining room cabinets.

HARDWARE LEGEND

Table with columns: TAG, ITEM, MANUFACTURER, FINISH, PRODUCT NUMBER, SIZE, NOTES. Lists H1 balluster pull.

\*\* ALL CABINETRY SPECIFICATIONS WILL BE SUBMITTED TO SUNRISE DESIGN DEPARTMENT AS RECORD OF INFORMATION; NO SUBSTITUTION ALLOWED

EQUIPMENT/FIXTURE SCHEDULE

Table with columns: ROOM, NO., ITEM, MANUFACTURER, PRODUCT NO., FINISH, SIZE. Lists hair care equipment like pivoting bowls, sinks, faucets, mirrors, tables, and stools.

EQUIPMENT SCHEDULE REMARKS KEY

Table with columns: Item number, Description, Remarks. Includes notes on faucet installation, mirror placement, and equipment quantities.

LIGHTING SCHEDULE

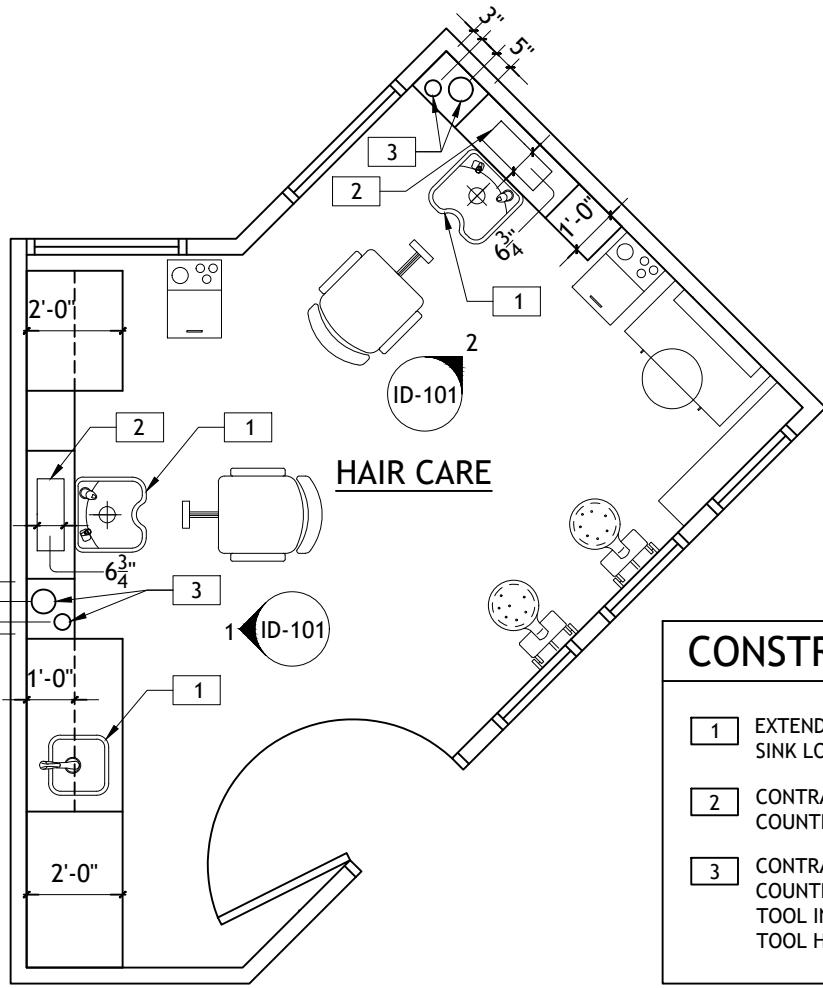
Table with columns: ROOM, NO., ITEM, MANUFACTURER, PRODUCT NO., FINISH, LAMP TYPE, SIZE, REMARKS. Lists hair care lighting like LED under cabinet lighting and wall sconces.

LIGHTING SCHEDULE REMARKS KEY

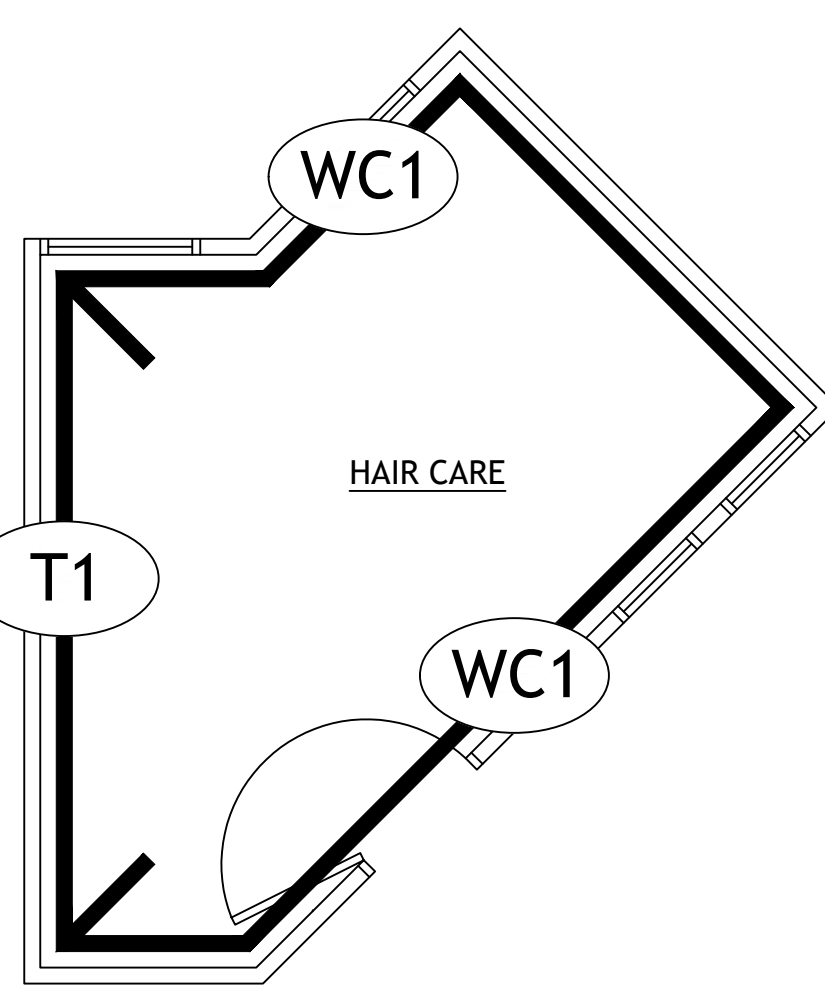
Table with columns: Item number, Description, Remarks. Includes notes on lamp supply, LED conversion, and vanity light installation.

\*\* CONTRACTOR TO PROVIDE AND INSTALL ALL LIGHT FIXTURES.

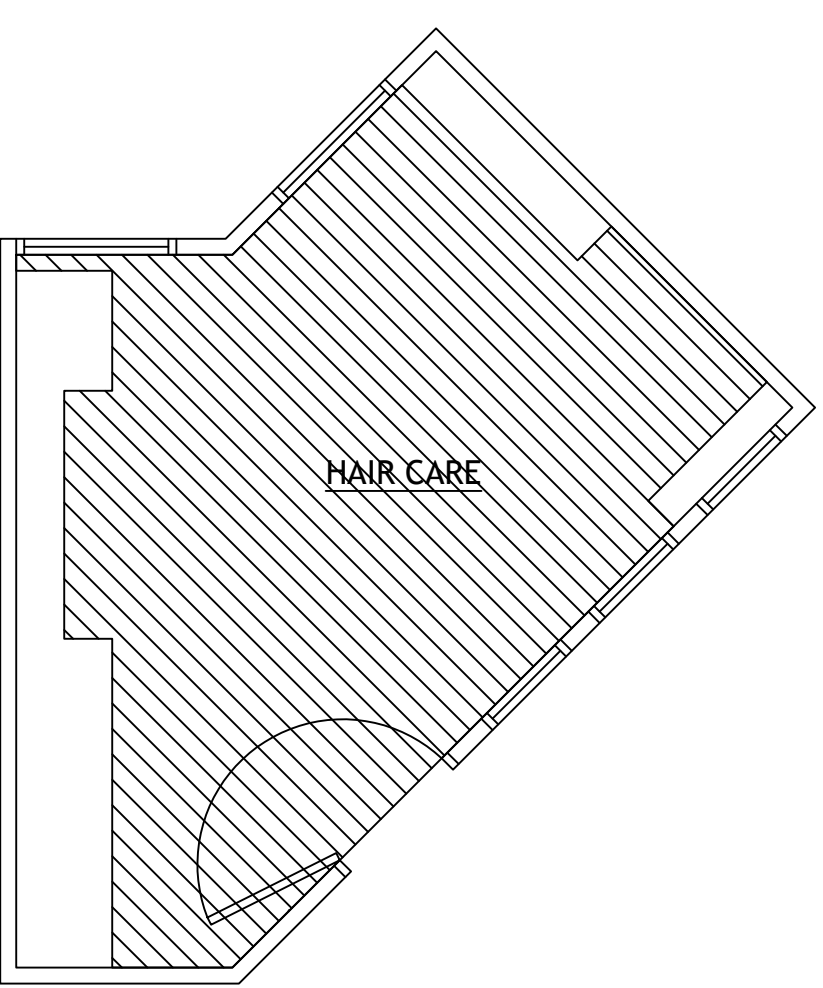
\*\* ALL LIGHT FIXTURE SPECIFICATIONS WILL BE SUBMITTED TO SUNRISE DESIGN DEPARTMENT AS RECORD OF INFORMATION; IF SUBMITTAL DEVIATES FROM ORIGINAL SPECIFICATION, IT MUST BE REVIEWED BY SUNRISE DESIGN DEPARTMENT FOR GENERAL COMPLIANCE WITH THE DESIGN INTENT OF THE CONTRACT DOCUMENTS.



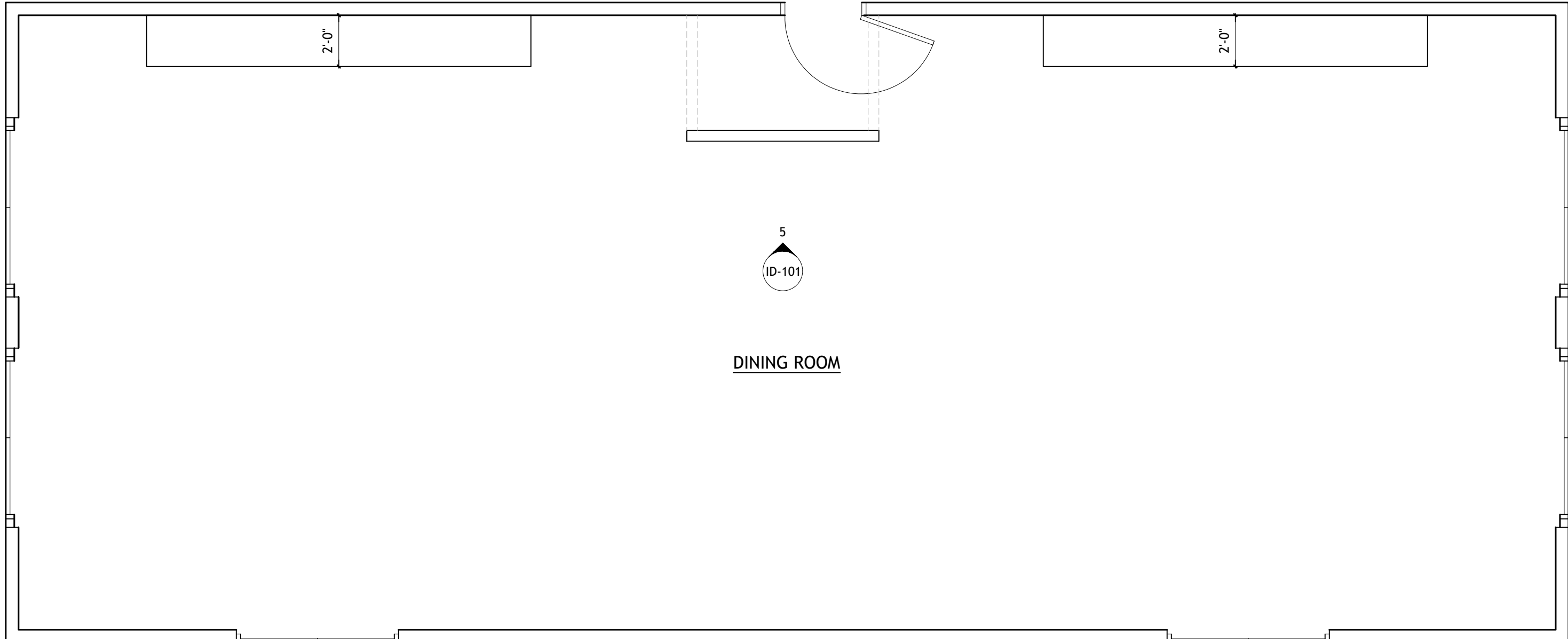
2 1ST FLOOR - IL - HAIR CARE - CONSTRUCTION PLAN



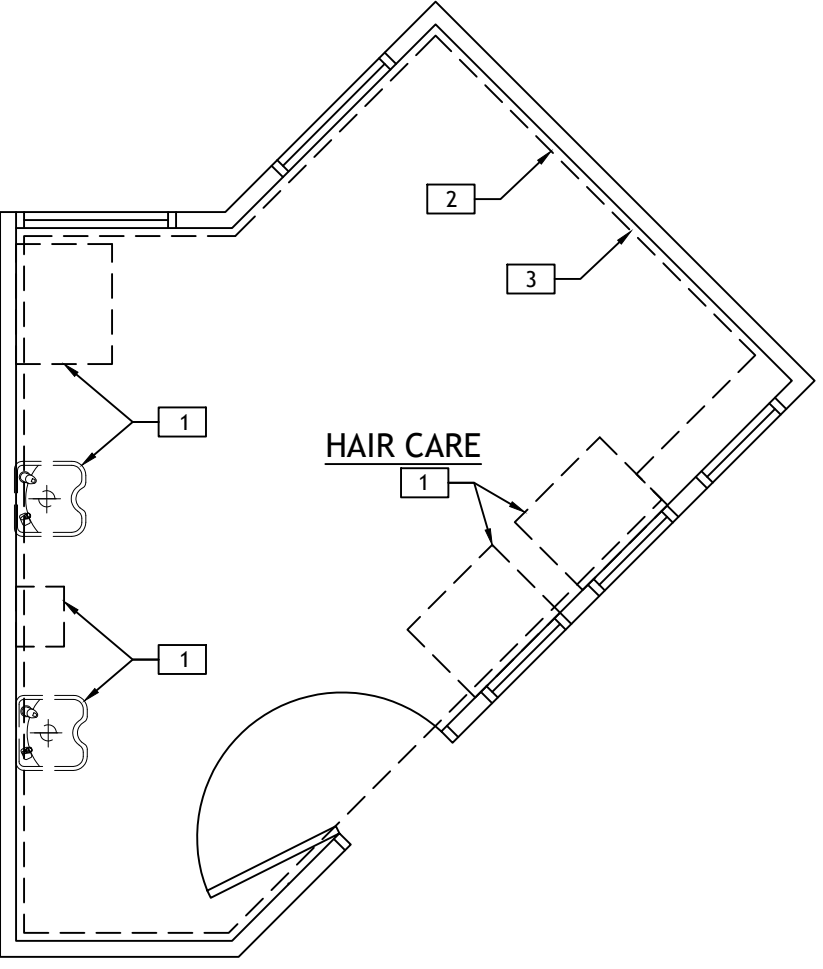
3 1ST FLOOR - IL - HAIR CARE - WALL FINISH PLAN



4 1ST FLOOR - IL - HAIR CARE - FLOORING PLAN



5 1ST FLOOR - IL - DINING ROOM - CONSTRUCTION PLAN

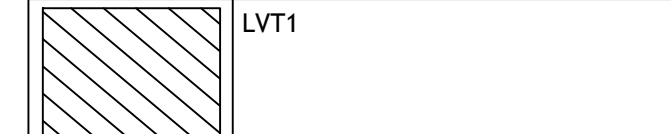


1 1ST FLOOR - IL - HAIR CARE - DEMOLITION PLAN

DEMOLITION NOTES

- 1 REMOVE AND DISCARD EXISTING CABINETRY, COUNTERTOP, SINKS, MIRROR, VANITY LIGHT AND EQUIPMENT - PATCH AND REPAIR WALL AS NECESSARY FOR NEW CABINETRY...
2 REMOVE AND DISCARD EXISTING HARD SURFACE FLOORING...
3 REMOVE AND DISCARD EXISTING CHAIR RAIL, PATCH AND REPAIR WALLS AS NEEDED FOR NEW FINISH APPLICATION.

FLOORING LEGEND



FLOORING NOTES

- FLOORING TO BE INSTALLED IN THE DIRECTION INDICATED BY THE HATCH PATTERN AT FLOOR PLAN
PROVIDE MERRILLAT QUARTER ROUND PRIMED AND PAINTED (P1) AT WOOD BASE
PROVIDE MERRILLAT QUARTER ROUND AT CABINETS



DESIGN DEPARTMENT
7902 WESTPARK DRIVE
MCLEAN, VA 22102

SUNRISE OF HUNTINGTON COMMON

ONE HUNTINGTON COMMON DRIVE KENNEBUNK, ME 04043

(207) 985-2810

SHEET LIST

Table with columns: ID, Description. Lists ID-001 (SCHEDULES & LEGENDS, DEMOLITION, CONSTRUCTION, WALL FINISH & FLOORING PLANS) and ID-101 (ELEVATIONS & DETAILS).

PROJECT NO.: 2019-60060-1/2

SCALE: VARIES

DESIGNED: KAW

DRAWN: KAW

CHECKED: MMD

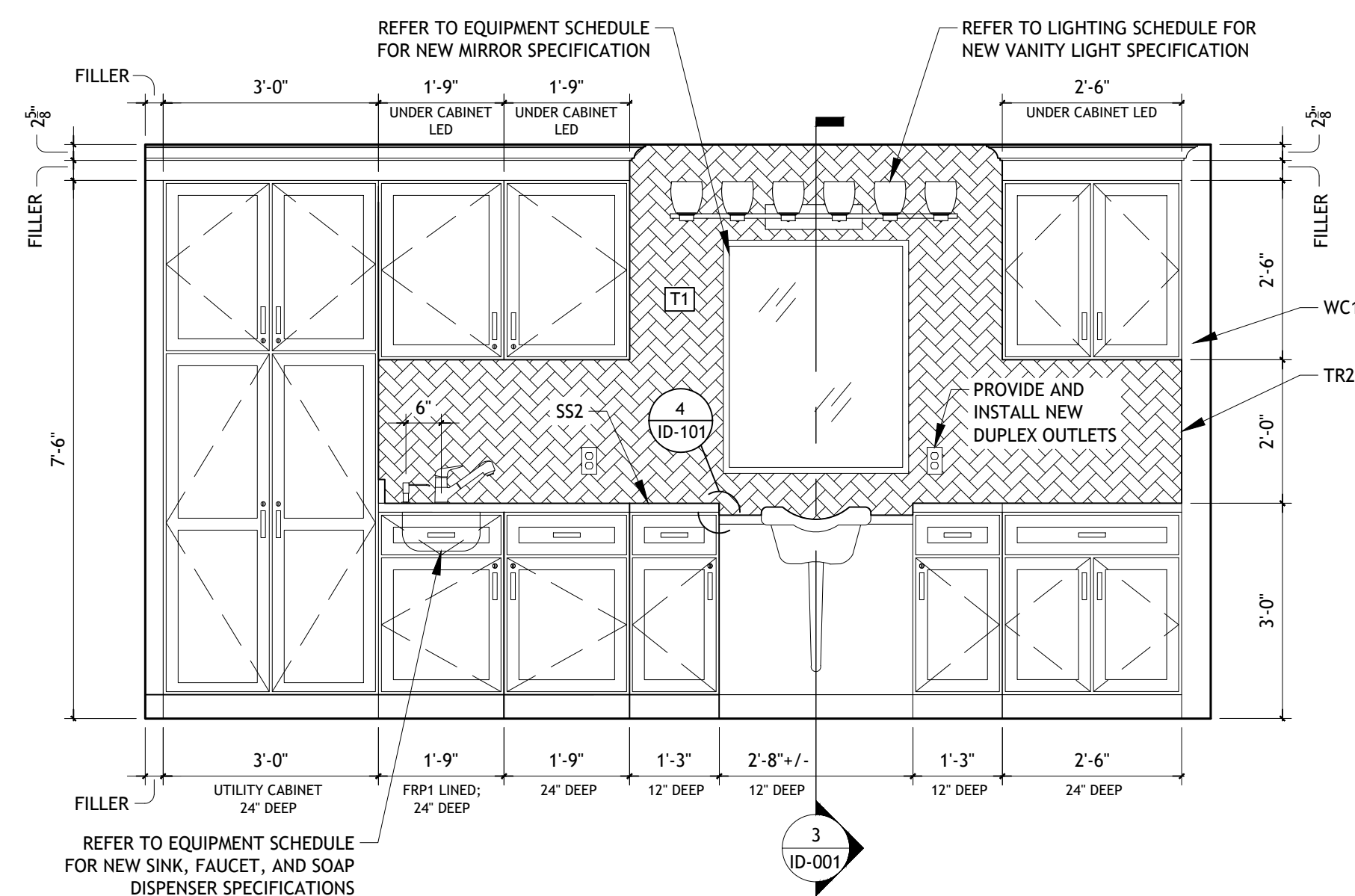
REVIEWED: BG

DATE: 05/30/2019

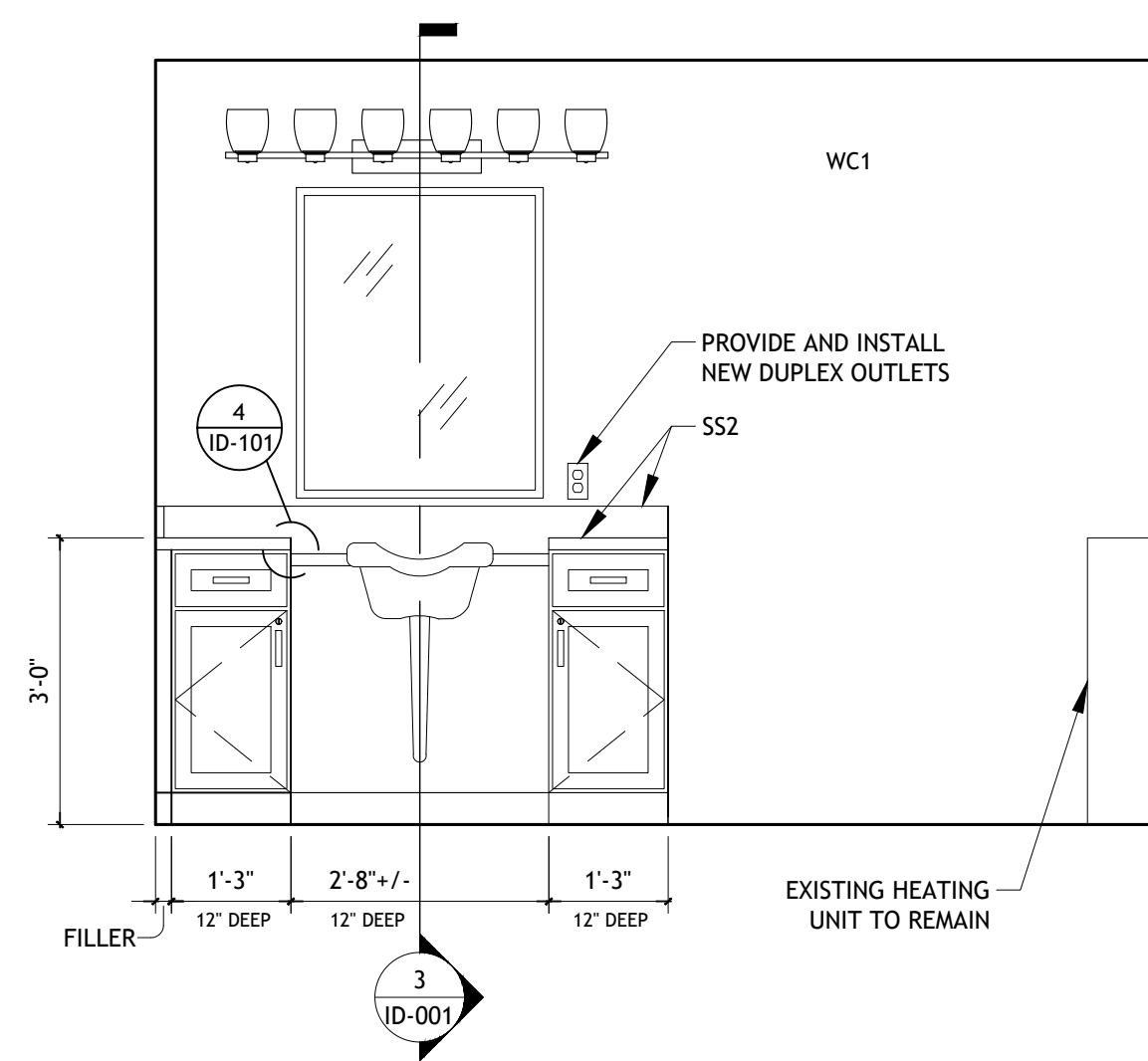
DRAWING TITLE: SCHEDULES & LEGENDS, DEMOLITION, CONSTRUCTION, WALL FINISH & FLOORING PLANS

SHEET NO.:

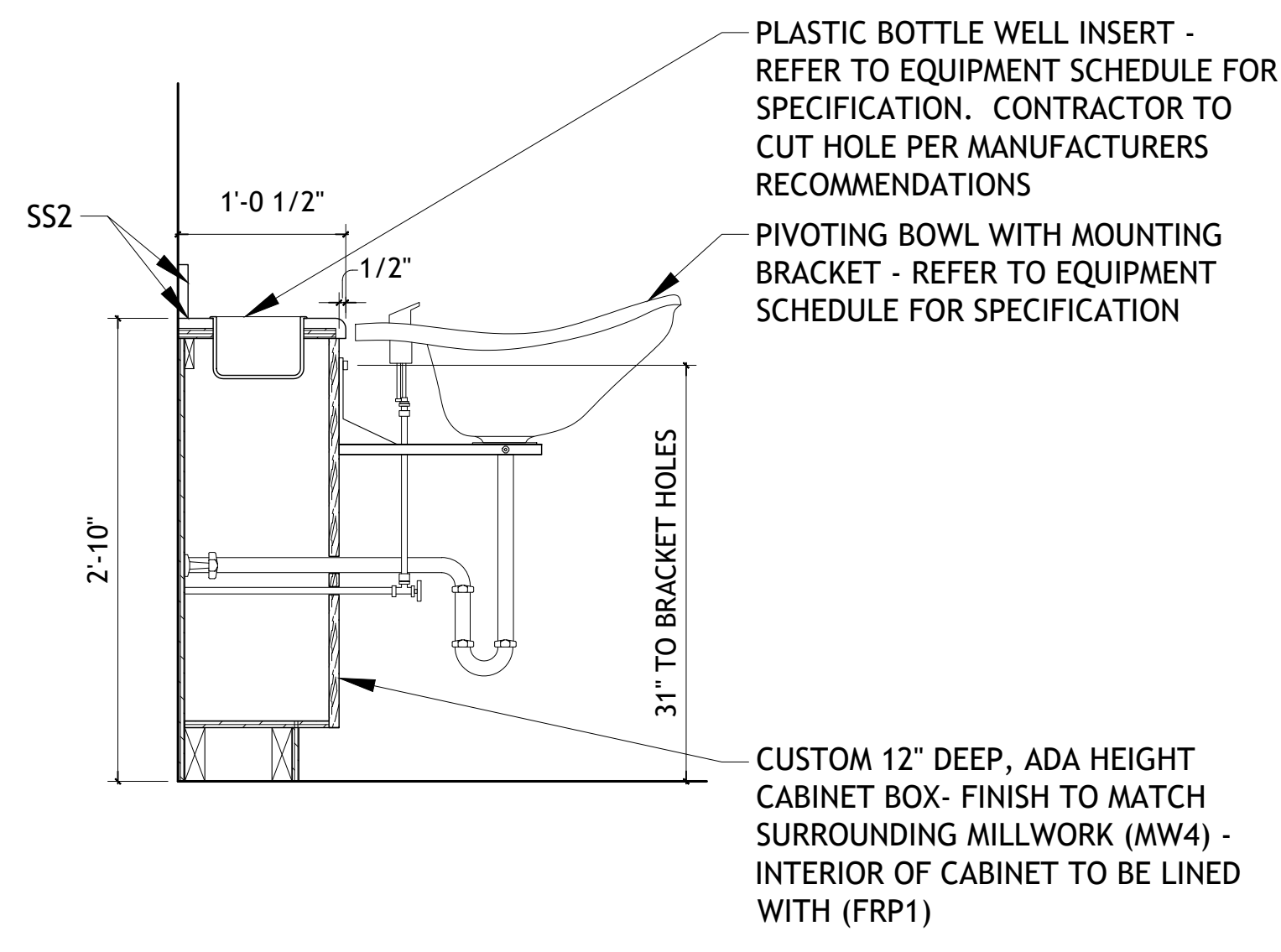
ID-001



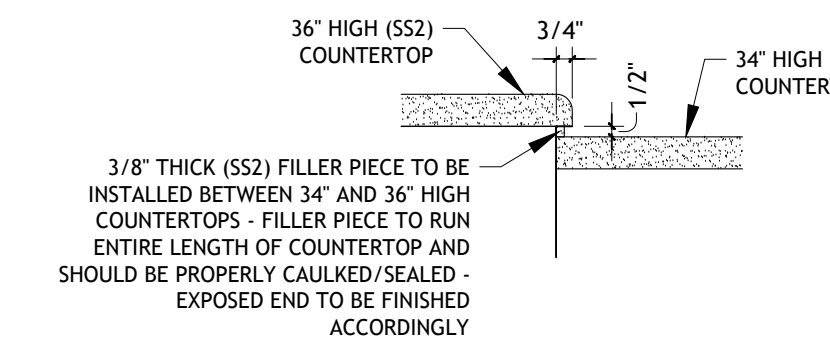
1 1ST FLOOR - IL - HAIR CARE - ELEVATION  
ID-101 SCALE: 1/2" = 1'-0"



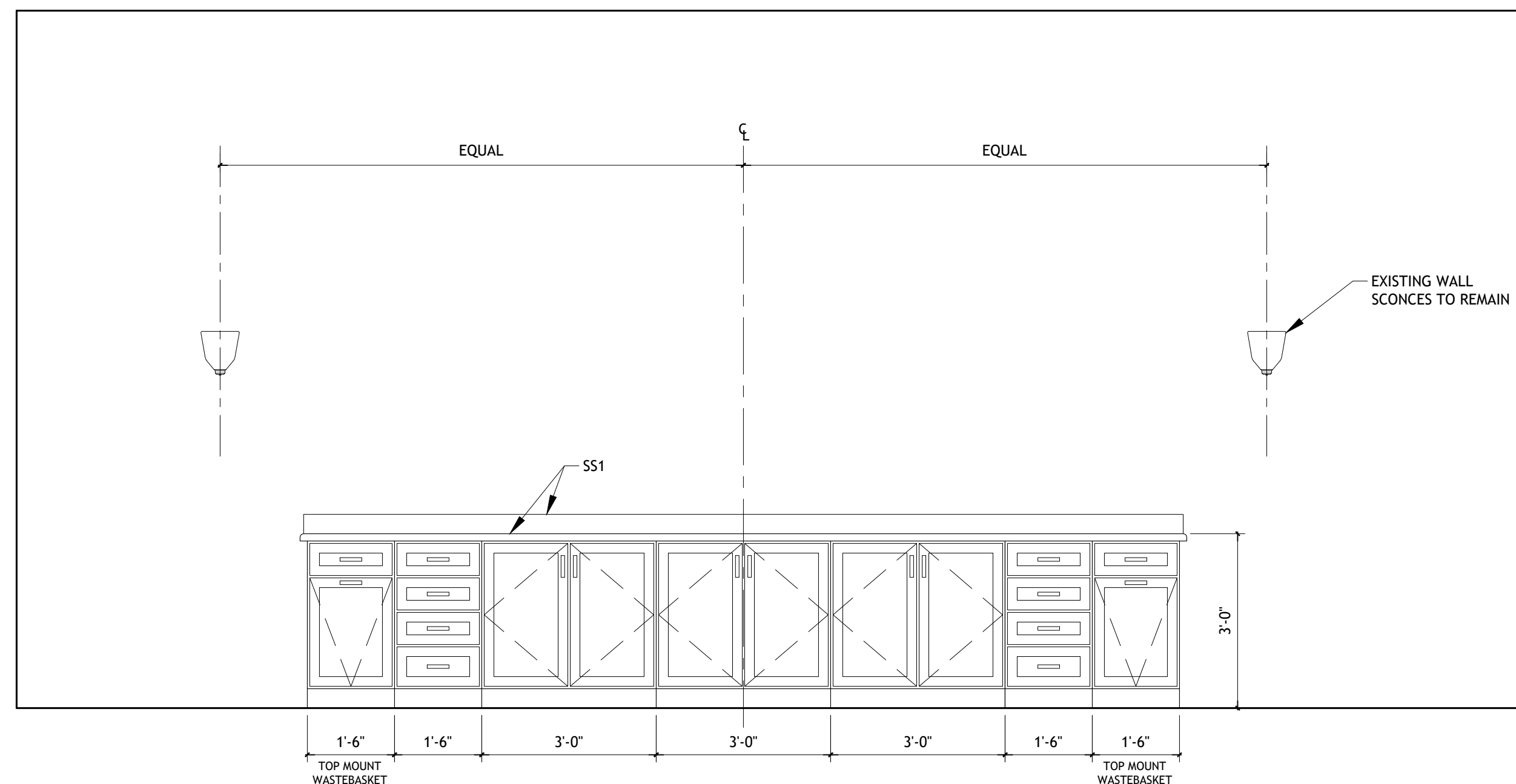
2 1ST FLOOR - IL - HAIR CARE - ELEVATION  
ID-101 SCALE: 1/2" = 1'-0"



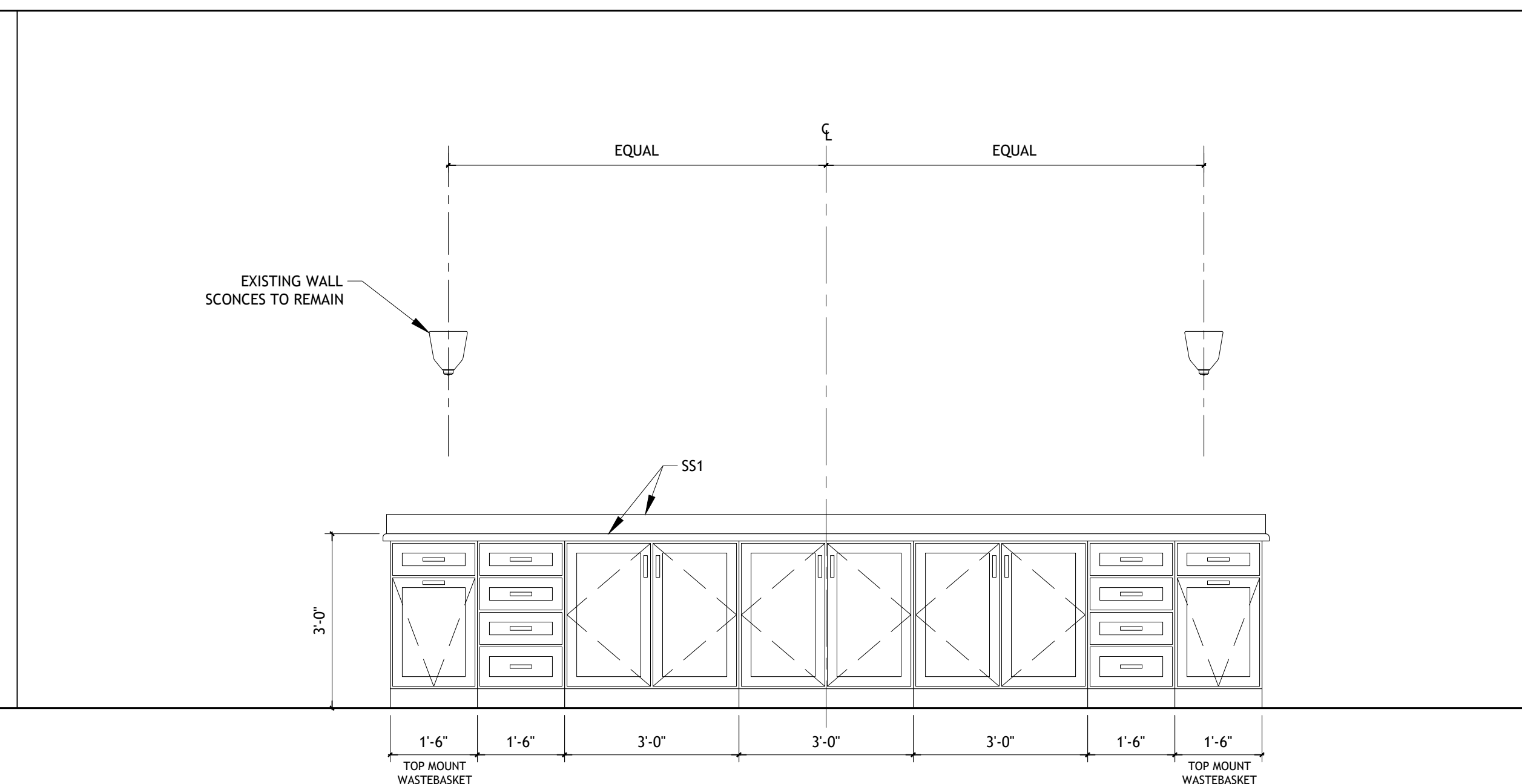
3 HAIR CARE SINK DETAIL SECTION  
ID-101 SCALE: 1" = 1'-0"



4 COUNTERTOP EDGE DETAIL  
ID-101 SCALE: 1 1/2" = 1'-0"



2 1ST FLOOR - IL - DINING ROOM - ELEVATION  
ID-101 SCALE: 1/2" = 1'-0"



PROJECT NO.:	2019-60060-1/2
SCALE:	VARIABLES
DESIGNED:	KAW
DRAWN:	KAW
CHECKED:	MMD
REVIEWED:	BG
DATE:	05/30/2019